



**EIMCO ELECON**

# ARTICULATED WHEEL LOADER AL 120



- Bucket Capacity 1.2 - 1.6 m<sup>3</sup>
- Operating Weight 6200 kgs.
- Engine Power 76 hp
- 4 x 4 Wheel Drive
- All Wheels of Same size

- Single Lever Operation
- Excellent Maneuverability
- Differential lock on Both Axles
- Z Bar Linkage for High Breakout Force
- Hydrostatic Drive with Automotive Control
- Spacious Operators Cab with Excellent Visibility



# Technical Data - AL 120

## ENGINE

Type : Water cooled diesel engine  
4 cylinders, 4-stroke,  
Make & Model : Kirloskar 4R1040TC, BS-III  
Net power : 76HP @ 2200 rpm  
Max. torque : 300 Nm @ 1500 rpm

## STEERING



Hydrostatic steering,  
Maximum steering angle +/- 40°  
Turning radius (Over rear end) 3780 mm

## OPTIONALS

An extensive range of attachments including Pallet Forks, Jibs crane, Quickhitch mounting, Silage forks, 6-in-1 Clam Shovel Bucket.  
Travel speed 29.70 kmph.

## PERFORMANCE DATA

Bucket position	Crowd angle	45°
	Dumping angle, top	45°
	Dump angle max.	125°
Breakout force :		5098 kg.
Payload :		
on forks, frontal even ground		3120 kg
on forks, frontal uneven ground		2340 kg
on forks, articulated even ground		2770 kg
on forks, articulated uneven ground		2077 kg
on forks, frontal even ground*		3402 kg
on forks, articulated even ground*		2853 kg

\*According to ISO 14397  
Transport position 300 mm above ground,

	Standard Bucket	6-in-1 Clam Shovel Bucket
A	5900	5860
B	45°	45
C	1515	1515
D	-	530
E	830	815
F	2700	2700
G	3300	3300
H	-	3620
I	4520	4385
J	720	700
K	70	100
L	360	360
Front View		
M	2000	2100
N	1925	1925
O	1525	1525
P	2720	2720

## DRIVE



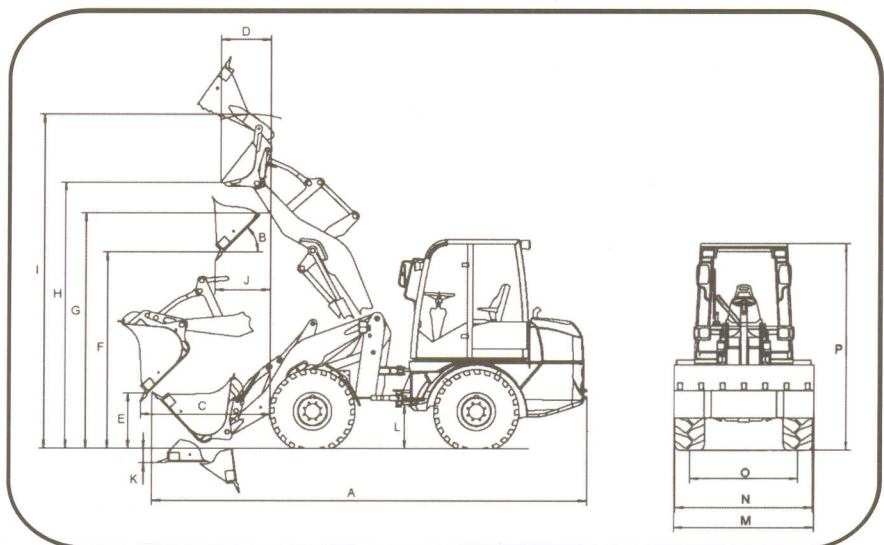
Hydrostatic drive with automotive control, 2 stages shiftable under load, single lever (Joystick) for drive and working hydraulics control.

Axles	: Rigid mounted planetary axles.
Differential lock	: On both axles.
Wheels	: Tyre size : 16/70-20
Speeds	: Transport speed : 0-20 km/h
	: Working speed : 0-7 km/h
Gradability	: 60 %
Oscillation	: +/- 11

## HYDRAULIC SYSTEM

Gear pump with three-way control valve with primary and secondary safeguard, servo-assisted joystick controls with float position for lifting cylinder.

Operating pressure	230 bar
Flow @ 2200 rpm	80 l/min



All dimensions are in mm, and may vary within +/- 5%  
Manufacturers reserve the right to amend/modify the specifications and/or design at any time without notice.

For further details, please contact



**EIMCO ELECON (INDIA) LTD.**

ANAND SOJITRA ROAD, VALLABH VIDYANAGAR 388 120. GUJARAT, INDIA.

Tel. : (02692) 230502, 230602, 230902, Fax : (02692) 236506, E-mail : mktg.ces@eimco.elecon.com

**BRANCH OFFICES**

ASANSOL, BILASPUR, BANGALORE, CHENNAI, DHANBAD, JAMSHEDPUR, KOLKATA, MUMBAI, NEW DELHI & SECUNDERABAD